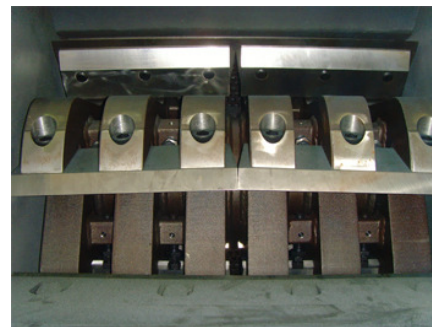


## TECHNICAL SPECIFICATIONS

# Industrial Granulator ZX12



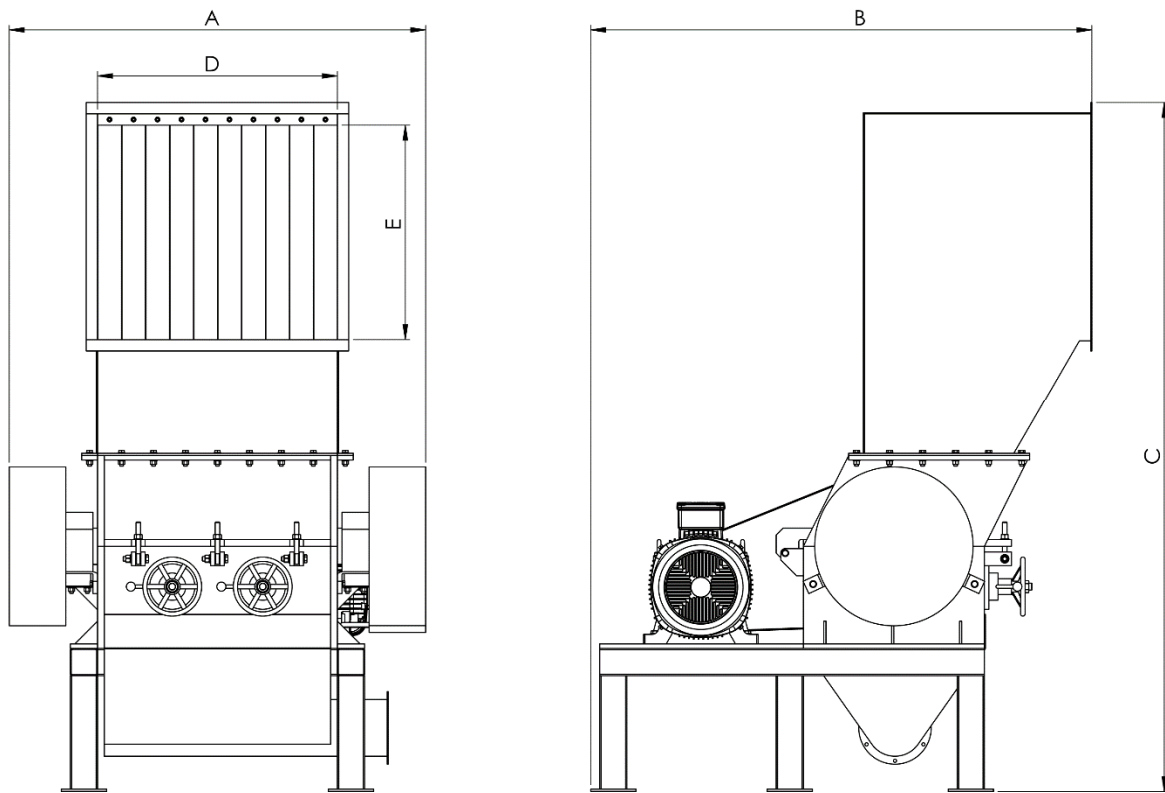
### General characteristics:

- Type: ZX12
- Crushing Chamber: 1200x650 mm
- Rotor Knives: 10 pcs
- Stationary Knives: 4 pcs
- Knife Material: Cr12MoV
- Motor Power: 75-90 kW
- Rotor Diameter: 650 mm
- Capacity: 1000-1500 kg/h
- Chamber Opening: Electric

### Knives:

- Tempered steel type Cr12MoV for stationary and rotor knives.
- Heat-treated to 60 HRC.
- All surfaces are precision grounded.

**Dimensions:**



A	B	C	D	E	weight
2300 mm	2500 mm	3000 mm	1220 mm	1020 mm	5200 kg