

TECHNICAL SPECIFICATIONS

Industrial Granulator ZX10



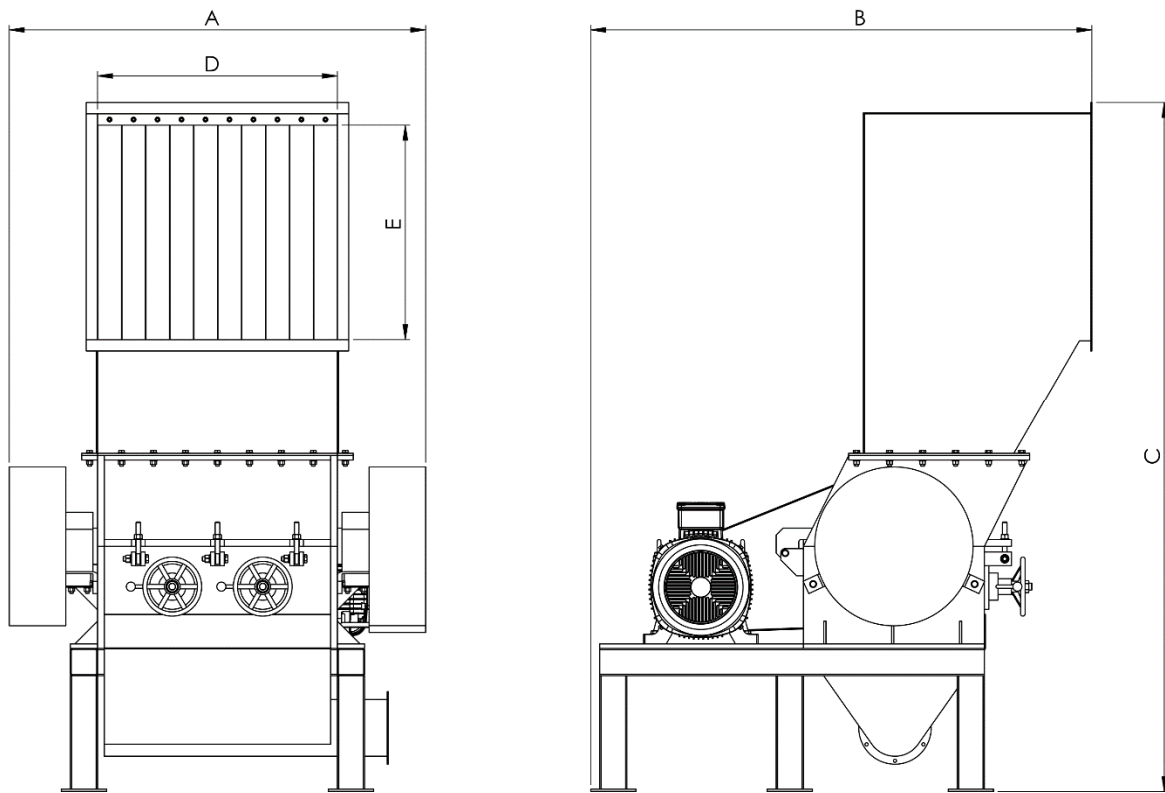
General characteristics:

- Type: ZX10
- Crushing Chamber: 1000x650 mm
- Rotor Knives: 10 pcs
- Stationary Knives: 4 pcs
- Knife Material: Cr12MoV
- Motor Power: 55-75 kW
- Rotor Diameter: 650 mm
- Capacity: 500-900 kg/h
- Chamber Opening: Electric

Knives:

- Tempered steel type Cr12MoV for stationary and rotor knives.
- Heat-treated to 60 HRC.
- All surfaces are precision grounded.

Dimensions:



| A | B | C | D | E | weight |
|---------|---------|---------|---------|--------|---------|
| 2000 mm | 2300 mm | 2800 mm | 1020 mm | 820 mm | 3800 kg |