

TECHNICAL SPECIFICATIONS

Movable Granulator ZM4



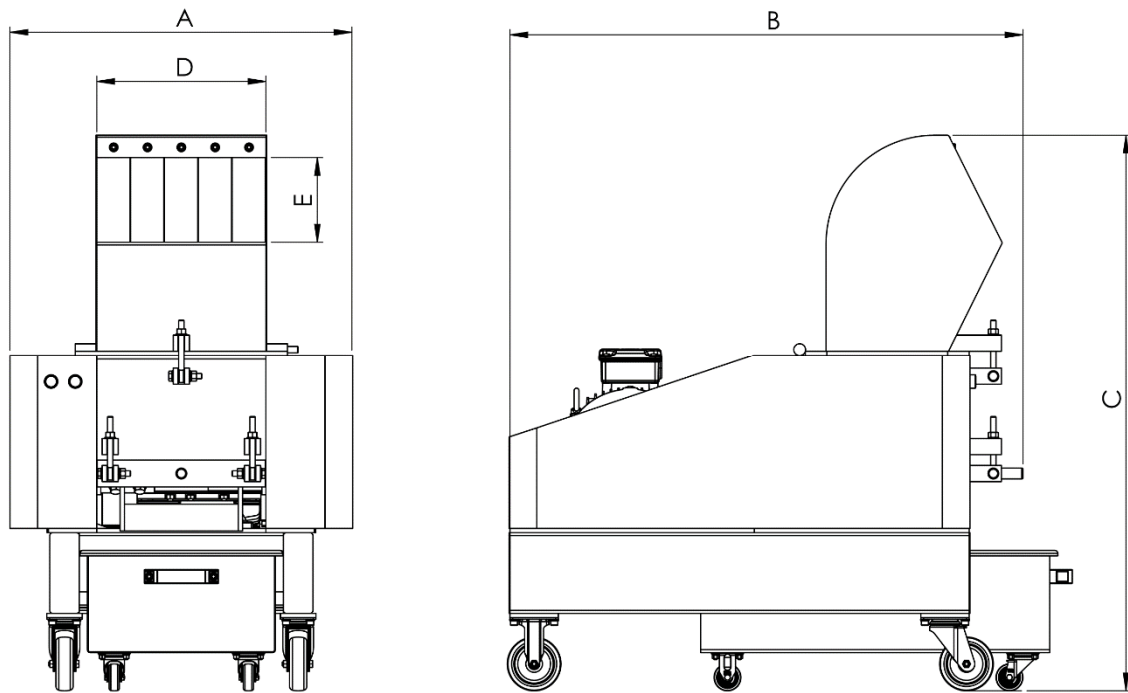
General characteristics:

- Type: ZM4
- Crushing Chamber: 410x235 mm
- Rotor Knives: 12 pcs
- Stationary Knives: 2 pcs
- Knife Material: Cr12MoV
- Motor Power: 7.5 kW
- Rotor Diameter: 235 mm
- Capacity: 150-200 kg/h
- Chamber Opening: Manual

Knives:

- Tempered steel type Cr12MoV for stationary and rotor knives.
- Heat-treated to 60 HRC.
- All surfaces are precision grounded.

Dimensions:



A	B	C	D	E	weight
850 mm	1300 mm	1250 mm	410 mm	235 mm	490 kg