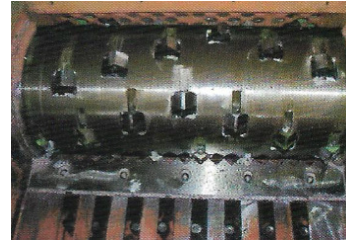
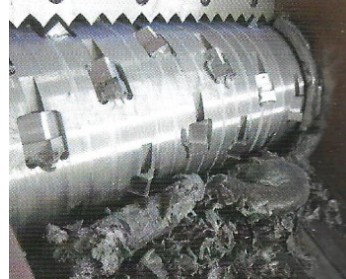


TECHNICAL SPECIFICATIONS

Single-Shaft Shredder ZS12



General Characteristics:

- Type: ZS12
- Crushing Chamber: 960x1210 mm
- Rotor Knives: 54 pcs
- Stationary Knives: 4 pcs
- Knife Material: Cr12MoV
- Motor Power: 55-75 kW
- Hydraulic Power: 4 kW
- Shaft Speed: 80 rpm
- Rotor diameter: 450 mm
- Capacity: 1000-1500 kg/h

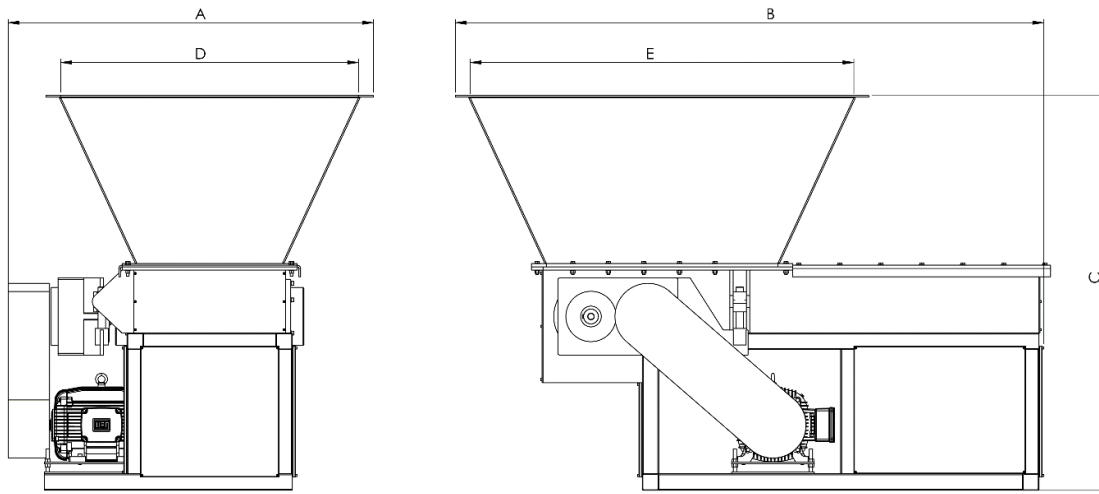
Knives:

- Tempered steel type Cr12MoV for stationary and rotor knives.
- Heat-treated to 60 HRC.
- All surfaces are precision grounded.

Control System:

- PLC control

Dimensions:



A	B	C	D	E	weight
2800 mm	3200 mm	2100 mm	1600 mm	1400 mm	5100 kg